

# **ESCON 36/3 EC**

**Servo Controller**

**P/N 414533**

**Hardware Reference**



esccon.maxonmotor.com

**Document ID: rel4713**

TABLE OF CONTENTS

**1 About 3**

1.1 About this Document . . . . . 3

1.2 About the Device . . . . . 4

1.3 About the Safety Precautions. . . . . 5

**2 Specifications 7**

2.1 Technical Data . . . . . 7

2.2 Standards . . . . . 9

**3 Setup 11**

3.1 Generally applicable Rules. . . . . 11

3.2 Determination of Power Supply . . . . . 12

3.3 Cabling . . . . . 13

3.4 Connections . . . . . 14

3.5 Potentiometers . . . . . 27

3.6 Status Indicators. . . . . 28

**4 Wiring 29**

**READ THIS FIRST**

***These instructions are intended for qualified technical personnel. Prior commencing with any activities ...***

- *you must carefully read and understand this manual and*
- *you must follow the instructions given therein.*

**The ESCON 36/3 EC is considered as partly completed machinery according to EU Directive 2006/42/EC, Article 2, Clause (g) and is intended to be incorporated into or assembled with other machinery or other partly completed machinery or equipment.**

***Therefore, you must not put the device into service, ...***

- *unless you have made completely sure that the other machinery fully complies with the EU directive's requirements!*
- *unless the other machinery fulfills all relevant health and safety aspects!*
- *unless all respective interfaces have been established and fulfill the herein stated requirements!*

# 1 About

## 1.1 About this Document

### 1.1.1 Intended Purpose

The purpose of the present document is to familiarize you with the ESCON 36/3 EC Servo Controller. It will highlight the tasks for safe and adequate installation and/or commissioning. Follow the described instructions ...

- to avoid dangerous situations,
- to keep installation and/or commissioning time at a minimum,
- to increase reliability and service life of the described equipment.

The document contains performance data and specifications, information on fulfilled standards, details on connections and pin assignment, and wiring examples.

### 1.1.2 Target Audience

The present document is intended for trained and skilled personnel. It conveys information on how to understand and fulfill the respective work and duties.

### 1.1.3 How to use




Take note of the following notations and codes which will be used throughout the document.

Notation	Meaning
(n)	refers to an item (such as order number, list item, etc.)
→	denotes “see”, “see also”, “take note of” or “go to”

Table 1-1 Notation used

### 1.1.4 Symbols & Signs

In the course of the present document, the following symbols and signs will be used.

Type	Symbol	Meaning	
Safety Alert	 (typical)	DANGER	Indicates an <b>imminent hazardous situation</b> . If not avoided, it <b>will result in death or serious injury</b> .
		WARNING	Indicates a <b>potential hazardous situation</b> . If not avoided, it <b>can result in death or serious injury</b> .
		CAUTION	Indicates a <b>probable hazardous situation</b> or calls the attention to unsafe practices. If not avoided, it <b>may result in injury</b> .
Prohibited Action	 (typical)	Indicates a dangerous action. Hence, <b>you must not!</b>	
Mandatory Action	 (typical)	Indicates a mandatory action. Hence, <b>you must!</b>	




Type	Symbol	Meaning	
<b>Information</b>		Requirement / Note / Remark	Indicates an activity you must perform prior continuing, or gives information on a particular item you need to observe.
		Best Practice	Indicates an advice or recommendation on the easiest and best way to further proceed.
		Material Damage	Indicates information particular to possible damage of the equipment.

Table 1-2 Symbols & Signs

### 1.1.5 Trademarks and Brand Names

For easier legibility, registered brand names are listed below and will not be further tagged with their respective trademark. It must be understood that the brands (the list below is not necessarily concluding) are protected by copyright and/or other intellectual property rights even if their legal trademarks are omitted in the later course of this document.

Brand Name	Trademark Owner
Windows®	© Microsoft Corporation, USA-Redmond, WA

Table 1-3 Brand Names and Trademark Owners

### 1.1.6 Copyright

© 2014 maxon motor. All rights reserved.

The present document – including all parts thereof – is protected by copyright. Any use (including reproduction, translation, microfilming, and other means of electronic data processing) beyond the narrow restrictions of the copyright law without the prior approval of maxon motor ag, is not permitted and subject to prosecution under the applicable law.

**maxon motor ag**  
Brünigstrasse 220  
P.O.Box 263  
CH-6072 Sachseln

Phone +41 41 666 15 00  
Fax +41 41 666 16 50  
Web [www.maxonmotor.com](http://www.maxonmotor.com)

## 1.2 About the Device

The ESCON 36/3 EC is a small-sized, powerful 4-quadrant PWM servo controller for the highly efficient control of permanent magnet-activated brushless EC motors up to approximately 97 Watts.

The featured operating modes – speed control (closed loop), speed control (open loop), and current control – meet the highest requirements. The ESCON 36/3 EC is designed being commanded by an analog set value and features extensive analog and digital I/O functionality.

The device is designed to be configured via USB interface using the graphical user interface «ESCON Studio» for Windows PCs.

You can download the latest ESCON software version (as well as the latest edition of the documentation) from the internet under → <http://escon.maxonmotor.com>.

### 1.3 About the Safety Precautions

- Make sure that you have read and understood the note “READ THIS FIRST” on page A-2!
- Do not engage with any work unless you possess the stated skills (→chapter “1.1.2 Target Audience” on page 1-3)!
- Refer to →chapter “1.1.4 Symbols & Signs” on page 1-3 to understand the subsequently used indicators!
- You must observe any regulation applicable in the country and/or at the site of implementation with regard to health and safety/accident prevention and/or environmental protection!



#### DANGER

##### **High Voltage and/or Electrical Shock**

##### **Touching live wires causes death or serious injuries!**

- Consider any power cable as connected to life power, unless having proven the opposite!
- Make sure that neither end of cable is connected to life power!
- Make sure that power source cannot be engaged while work is in process!
- Obey lock-out/tag-out procedures!
- Make sure to securely lock any power engaging equipment against unintentional engagement and tag it with your name!



#### Requirements

- Make sure that all associated devices and components are installed according to local regulations.
- Be aware that, by principle, an electronic apparatus can not be considered fail-safe. Therefore, you must make sure that any machine/apparatus has been fitted with independent monitoring and safety equipment. If the machine/apparatus should break down, if it is operated incorrectly, if the control unit breaks down or if the cables break or get disconnected, etc., the complete drive system must return – and be kept – in a safe operating mode.
- Be aware that you are not entitled to perform any repair on components supplied by maxon motor.



#### Electrostatic Sensitive Device (ESD)

- Make sure to wear working cloth in compliance with ESD.
- Handle device with extra care.

**••page intentionally left blank••**

## 2 Specifications

### 2.1 Technical Data

ESCON 36/3 EC (414533)		
<b>Electrical Rating</b>	Nominal operating voltage $+V_{CC}$	10...36 VDC
	Absolute operating voltage $+V_{CC\ min} / +V_{CC\ max}$	8 VDC / 38 VDC
	Output voltage (max.)	$0.98 \times +V_{CC}$
	Output current $I_{cont} / I_{max}$ (<4 s)	2.7 A / 9 A
	Pulse Width Modulation frequency	53.6 kHz
	Sampling rate PI current controller	53.6 kHz
	Sampling rate PI speed controller	5.36 kHz
	Max. efficiency	95%
	Max. speed	150'000 rpm (1 pole pair)
	Built-in motor chokes	3 x 47 $\mu$ H; 2.7 A
<b>Inputs &amp; Outputs</b>	Analog Input 1 Analog Input 2	resolution 12-bit; $-10...+10$ V; differential
	Analog Output 1 Analog Output 2	resolution 12-bit; $-4...+4$ V; referenced to GND
	Digital Input 1 Digital Input 2	$+2.4...+36$ VDC ( $R_i = 38.5$ k $\Omega$ )
	Digital Input/Output 3 Digital Input/Output 4	$+2.4...+36$ VDC ( $R_i = 38.5$ k $\Omega$ ) / max. 36 VDC ( $I_L < 500$ mA)
	Hall sensor signals	H1, H2, H3
<b>Voltage Outputs</b>	Auxiliary output voltage	+5 VDC ( $I_L \leq 80$ mA)
	Hall sensor supply voltage	+5 VDC ( $I_L \leq 30$ mA)
<b>Potentiometer</b>	Potentiometer P1 (on board)	210°; linear
<b>Motor Connections</b>	EC motor	Motor winding 1, Motor winding 2, Motor winding 3
<b>Interface</b>	USB 2.0	full speed (12 Mbit/s)
<b>Status Indicators</b>	Operation	green LED
	Error	red LED
<b>Physical</b>	Weight	approx. 36 g
	Dimensions (L x W x H)	55 x 40 x 19.8 mm
	Mounting holes	for M2.5 screws

**Specifications**  
**Technical Data**

ESCON 36/3 EC (414533)			
<b>Environmental Conditions</b>	Temperature	Operation	-30...+45°C
		Extended range *1)	+45...+78°C Derating: -0.082 A/°C
		Storage	-40...+85°C
	Humidity	20...80% (condensation not permitted)	

Remark: \*1) Operation within the extended temperature range is permitted. However, a respective derating (declination of max. output current) as to the stated value will apply.

Table 2-4      Technical Data

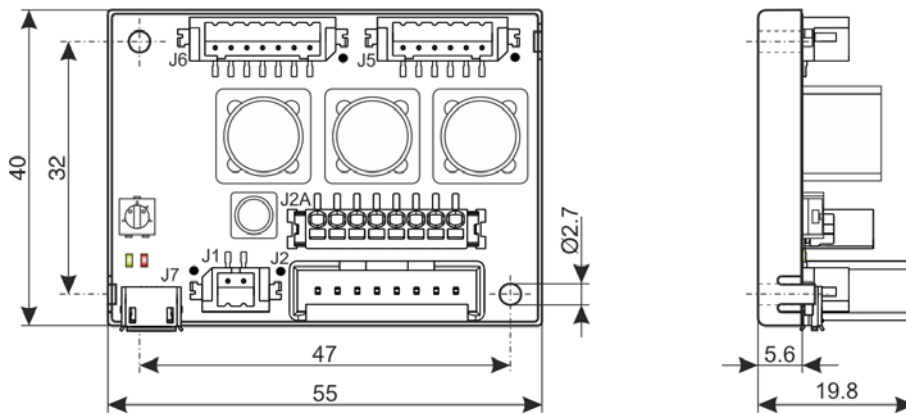


Figure 2-1      Dimensional Drawing [mm]



2.2 Standards

The described device has been successfully tested for compliance with the below listed standards. In practical terms, only the complete system (the fully operational equipment comprising all individual components, such as motor, servo controller, power supply unit, EMC filter, cabling etc.) can undergo an EMC test to ensure interference-free operation.



**Important Notice**

*The device's compliance with the mentioned standards does not imply its compliance within the final, ready to operate setup. In order to achieve compliance of your operational system, you must perform EMC testing of the involved equipment as a whole.*

Electromagnetic Compatibility		
Generic Standards	IEC/EN 61000-6-2	Immunity for industrial environments
	IEC/EN 61000-6-3	Emission standard for residential, commercial and light-industrial environments
Applied Standards	IEC/EN 61000-6-3 IEC/EN 55022 (CISPR22)	Radio disturbance characteristics / radio interference
	IEC/EN 61000-4-3	Radiated, radio-frequency, electromagnetic field immunity test >10 V/m
	IEC/EN 61000-4-4	Electrical fast transient/burst immunity test ±2 kV
	IEC/EN 61000-4-6	Immunity to conducted disturbances, induced by radio-frequency fields 10 Vrms
Others		
Environmental Standards	IEC/EN 60068-2-6	Environmental testing – Test Fc: Vibration (sinusoidal)
	MIL-STD-810F	Random transport
Safety Standards	UL File Number E207844; unassembled printed circuit board	

Table 2-5 Standards

*••page intentionally left blank••*

## 3 Setup

### IMPORTANT NOTICE: PREREQUISITES FOR PERMISSION TO COMMENCE INSTALLATION

The **ESCON 36/3 EC** is considered as partly completed machinery according to EU Directive 2006/42/EC, Article 2, Clause (g) and is **intended to be incorporated into or assembled with other machinery or other partly completed machinery or equipment.**



#### WARNING

##### **Risk of Injury**

**Operating the device without the full compliance of the surrounding system with the EU Directive 2006/42/EC may cause serious injuries!**

- Do not operate the device, unless you have made completely sure that the other machinery fully complies with the EU directive's requirements!
- Do not operate the device, unless the other machinery fulfills all relevant health and safety aspects!
- Do not operate the device, unless all respective interfaces have been established and fulfill the requirements stated in this document!

### 3.1 Generally applicable Rules

For each possible motor variant you will find information on the from/to connections and the cables you will require. If you should decide not to use the ready-made maxon cables, you must establish the respective connections as to →chapter "3.4.7 ESCON 36/3 EC Connector Set" on page 3-27 and →chapter "4 Wiring" on page 4-29.



#### **Maximal permitted Supply Voltage**

- Make sure that supply power is between 10...36 VDC.
- Supply voltages above 38 VDC, or wrong polarity will destroy the unit.
- Note that the necessary output current is depending on the load torque. Yet, the output current limits of the ESCON 36/3 EC are as follows; continuous max. 2.7 A / short-time (acceleration) max. 9 A.



#### **How to read the Wiring Details**

The subsequent description follows this scheme:

- Column "**J... & Head A**": Pin number...
  - of the socket,
  - of the corresponding plug, and
  - of Head A of the matching prefab maxon cable.
- Column "**Prefab Cable**": Wire color of the prefab maxon cable.
- Column "**Head B**": Pin number of Head B of the matching prefab maxon cable.

### 3.2 Determination of Power Supply

Basically, any power supply may be used, provided it meets the minimal requirements stated below.

Power Supply Requirements	
Output voltage	+V <sub>CC</sub> 10...36 VDC
Absolute output voltage	min. 8 VDC; max. 38 VDC
Output current	Depending on load (continuous max. 2.7 A; short-time (acceleration) max. 9 A (<4 s))

- 1) Use the formula below to calculate the required voltage under load.
- 2) Choose a power supply according to the calculated voltage. Thereby consider:
  - a) During braking of the load, the power supply must be capable of buffering the recovered kinetic energy (for example, in a capacitor).
  - b) If you are using an electronically stabilized power supply, make sure that the overcurrent protection circuit is configured inoperative within the operating range.



**Note**

The formula already takes the following into account:

- Maximum PWM duty cycle of 98%
- Controller's max. voltage drop of 1 V @ 2.7 A

**KNOWN VALUES:**

- Operating torque M [mNm]
- Operating speed n [rpm]
- Nominal motor voltage U<sub>N</sub> [Volt]
- Motor no-load speed at U<sub>N</sub>, n<sub>0</sub> [rpm]
- Speed/torque gradient of the motor Δn/ΔM [rpm/mNm]

**SOUGHT VALUE:**

- Supply voltage +V<sub>CC</sub> [Volt]

**SOLUTION:**

$$V_{CC} \geq \left[ \frac{U_N}{n_0} \cdot \left( n + \frac{\Delta n}{\Delta M} \cdot M \right) \cdot \frac{1}{0.98} \right] + 1 [V]$$

### 3.3 Cabling

Here you can get the connection information required to commission your ESCON 36/3 EC. You will find all details for both approaches, Plug&Play and making your own cables.

#### PLUG&PLAY

Take advantage of maxon's prefab cable assemblies. They come as ready-to-use parts and will help you to reduce commissioning time to a minimum.

- a) Check the «Cable Selector» (→Table 3-6) to find the cable assemblies' order number matching the setup you will be using.
- b) Follow the cross-reference to get the cable assemblies' pin assignment.

#### MAKE&BAKE YOUR OWN

- a) Check the «Cable Selector» (→Table 3-6) to find the required cables for the setup you will be using.
- b) Follow the cross-reference to get the cable's specification and pin assignment.
- c) Utilize the installation kit (→page 3-27) containing plugs and terminals that will fit the controller's sockets.

Cable / Adapter			Socket / Header	EC Motor with...	
Designation	Order number	→ page		Cable	Flexprint Cable (FPC)
Power Cable	403957	3-14	J1	X	X
I/O Cable 7core	403964	3-22	J6	O	O
I/O Cable 8core	403965	3-18	J5	X	X
USB Type A - micro B Cable	403968	3-24	J7	X	X
Adapter BLACK FPC11poles	418719	3-25	J2		O
Adapter BLUE FPC8poles	418723	3-26	J2		O
Adapter GREEN FPC8poles	418721	3-26	J2		O
Legend: X = required / O = optional					

Table 3-6 Cable Selector

## 3.4 Connections

The actual connection will depend on the overall configuration of your drive system and the type of motor you will be using. Some connections must be established in a given way, while for motor/Hall sensor (J2/J2A alternative plug-in locations can be chosen from.

Follow the description in given order and choose the connection scheme that suits the respective components you are using. For corresponding wiring diagrams → chapter “4 Wiring” on page 4-29.

### 3.4.1 Power (J1)



Figure 3-2 Power Socket J1

J1 & Head A Pin	Prefab Cable Color	Head B Pin	Signal	Description
1	white	–	Power_GND	Ground of supply voltage
2	brown	+	+V <sub>CC</sub>	Power supply voltage (+10...+36 VDC)

Table 3-7 Power Socket J1 – Pin Assignment & Cabling

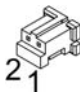
Power Cable (403957)		
<b>A</b>		<b>B</b>
Cable cross-section	2 x 0.34 mm <sup>2</sup>	
Length	1.5 m	
Head A	Suitable plugs Suitable contacts	Hirose DF3-2S-2C Hirose DF3-22SC...
Head B	Cable end sleeves 0.34 mm <sup>2</sup>	

Table 3-8 Power Cable

### 3.4.2 Motor / Hall Sensor (J2 / J2A)



**Potential Destruction**

*Use only one of the two connectors – either J2 or J2A!*

**HEADER J2**

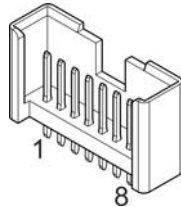


Figure 3-3 Motor / Hall Sensor Header J2



**Best Practice**

- For EC motors with built-in FPC (Flexprint cable), you might wish to use one of the ready-made adapters. For details → “Cable Selector” on page 3-13.

J2 & Head A Pin	Prefab Cable Color	Head B Pin	Signal	Description
1			Motor winding 1	EC motor: Winding 1
2			Motor winding 2	EC motor: Winding 2
3			Motor winding 3	EC motor: Winding 3
4			+5 VDC	Hall sensor supply voltage (+5 VDC; $I_L \leq 30$ mA)
5			GND	Ground
6			Hall sensor 1	Hall sensor 1 input
7			Hall sensor 2	Hall sensor 2 input
8			Hall sensor 3	Hall sensor 3 input

Table 3-9 Motor / Hall Sensor Header J2 – Pin Assignment & Cabling

Specification / Accessories	
Type	Mini module pin header, upright, single row, 8 poles, pitch 2.5 mm
Suitable plugs	Lumberg crimping socket, 8 poles (3114 08)
Suitable contacts	Lumberg crimping contact for socket (3111 03)
Suitable tools	Lumberg hand crimper (CZ31)

Table 3-10 Motor / Hall Sensor Header J2 – Specification & Accessories

For circuitry → Figure 3-5.

**SOCKET J2A**

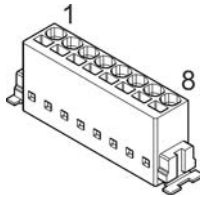


Figure 3-4 Motor / Hall Sensor Socket J2A

J2 & Head A Pin	Prefab Cable Color	Head B Pin	Signal	Description
1			Motor winding 1	EC motor: Winding 1
2			Motor winding 2	EC motor: Winding 2
3			Motor winding 3	EC motor: Winding 3
4			+5 VDC	Hall sensor supply voltage (+5 VDC; $I_L \leq 30$ mA)
5			GND	Ground
6			Hall sensor 1	Hall sensor 1 input
7			Hall sensor 2	Hall sensor 2 input
8			Hall sensor 3	Hall sensor 3 input

Table 3-11 Motor / Hall Sensor Socket J2A – Pin Assignment & Cabling

Specification / Accessories		
Type	Spring-loaded contacts, 8 poles, pitch 2.5 mm	
Suitable cables	Rigid	0.14...0.5 mm <sup>2</sup> / wire stripping length 6 mm
	Flexible	0.2...0.5 mm <sup>2</sup> / wire stripping length 6 mm 0.25...0.5 mm <sup>2</sup> / wire stripping length 6 mm, cable end sleeves
Suitable tools	Miniature screwdriver, size "00"	

Table 3-12 Motor / Hall Sensor Socket J2A – Specification & Accessories



Hall sensor supply voltage	+5 VDC
Max. Hall sensor supply current	30 mA
Input voltage	0...24 VDC
Max. input voltage	+24 VDC
Logic 0	typically <1.0 V
Logic 1	typically >2.4 V
Internal pull-up resistor	2.7 k $\Omega$ (against +5.45 V – 0.6 V)

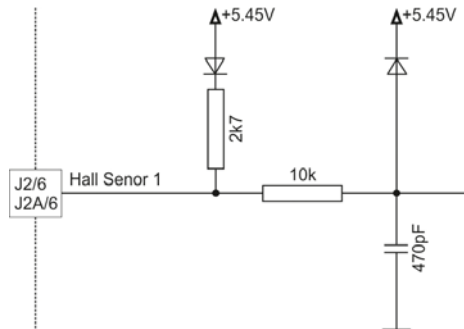


Figure 3-5 Hall Sensor Input Circuit (analogously valid also for Hall Sensors 2 & 3)

### 3.4.3 Digital I/Os (J5)

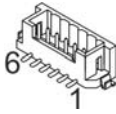


Figure 3-6 Digital I/Os Socket J5

J5 & Head A Pin	Prefab Cable Color	Head B Pin	Signal	Description
1	white		DigIN1	Digital input 1
2	brown		DigIN2	Digital input 2
3	green		DigIN/DigOUT3	Digital input/output 3
4	yellow		DigIN/DigOUT4	Digital input/output 4
5	grey		GND	Signal ground
6	pink		+5 VDC	Auxiliary output voltage (+5 VDC; ≤80 mA)

Table 3-13 Digital I/Os Socket J5 – Pin Assignment & Cabling


I/O Cable 8core (403965)		
<b>A</b>		<b>B</b>
Cable cross-section	6 x 0.14 mm <sup>2</sup>	
Length	1.5 m	
Head A	Suitable plugs Suitable contacts	Hirose DF3-6S-2C Hirose DF3-2428SC...
Head B	Cable end sleeves 0.14 mm <sup>2</sup>	

Table 3-14 I/O Cable 8core

### 3.4.3.1 Digital Input 1

Input voltage	0...36 VDC
Max. input voltage	+36 VDC / -36 VDC
Logic 0	typically <1.0 V
Logic 1	typically >2.4 V
Input resistance	typically 47 kΩ (<3.3 V) typically 38.5 kΩ (@ 5 V) typically 25.5 kΩ (@ 24 V)
Input current at logic 1	typically 130 μA @ 5 VDC
Switching delay	<8 ms

PWM frequency range	10 Hz...5 kHz
PWM duty cycle range (resolution)	10...90% (0.1%)

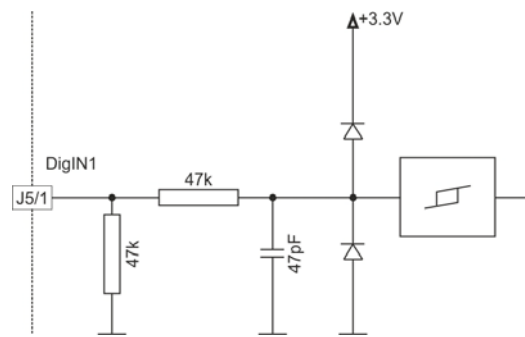


Figure 3-7 DigIN1 Circuit

### 3.4.3.2 Digital Input 2

Input voltage	0...36 VDC
Max. input voltage	+36 VDC / -36 VDC
Logic 0	typically <1.0 V
Logic 1	typically >2.4 V
Input resistance	typically 47 kΩ (<3.3 V) typically 38.5 kΩ (@ 5 V) typically 25.5 kΩ (@ 24 V)
Input current at logic 1	typically 130 μA @ 5 VDC
Switching delay	<8 ms

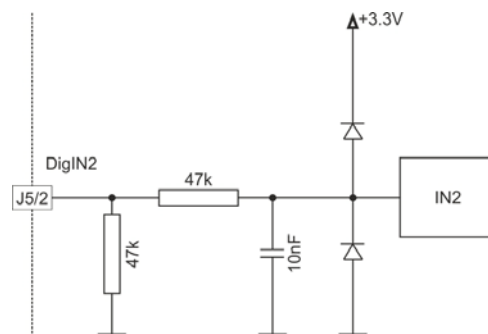


Figure 3-8 DigIN2 Circuit

### 3.4.3.3 Digital Inputs/Outputs 3 and 4

DigIN	
Input voltage	0...36 VDC
Max. input voltage	+36 VDC
Logic 0	typically <1.0 V
Logic 1	typically >2.4 V
Input resistance	typically 47 k $\Omega$ (<3.3 V) typically 38.5 k $\Omega$ (@ 5 V) typically 25.5 k $\Omega$ (@ 24 V)
Input current at logic 1	typically 130 $\mu$ A @ 5 VDC
Switching delay	<8 ms

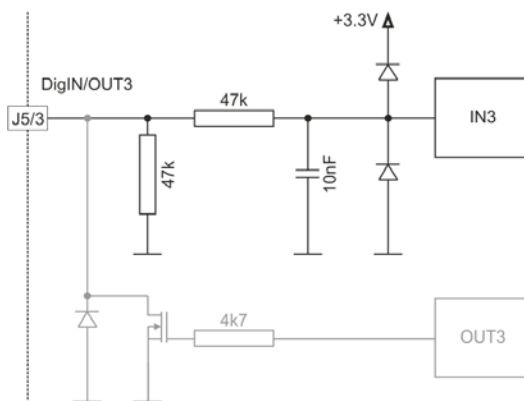


Figure 3-9 DigIN3 Circuit (analogously valid also for DigIN4)

DigOUT	
Max. input voltage	+36 VDC
Max. load current	500 mA
Max. voltage drop	0.5 V @ 500 mA
Max. load inductance	100 mH @ 24 VDC; 500 mA

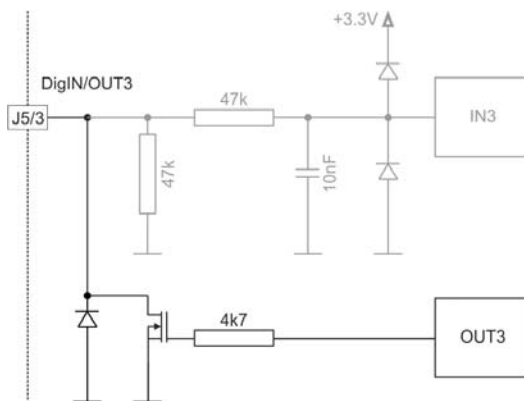


Figure 3-10 DigOUT3 Circuit (analogously valid also for DigOUT4)

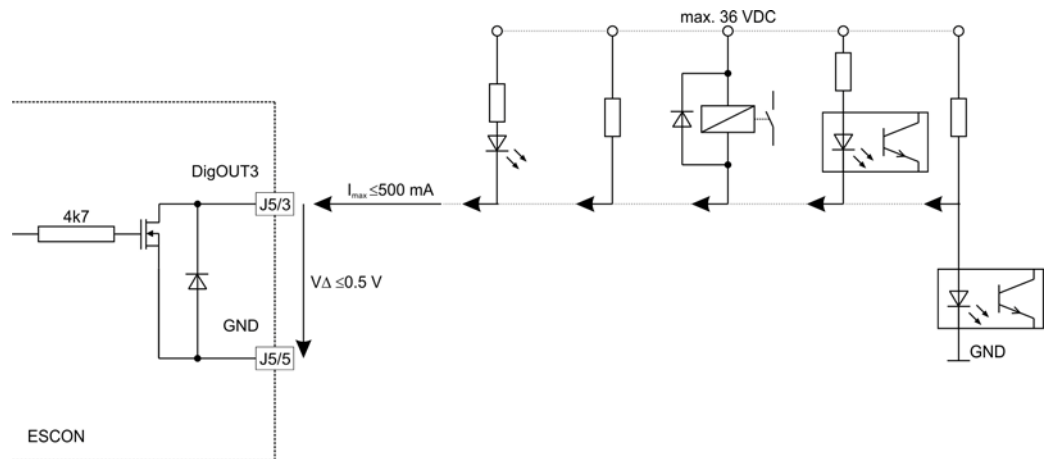


Figure 3-11 DigOUT3 Wiring Examples (analogously valid also for DigOUT4)

### 3.4.4 Analog I/Os (J6)

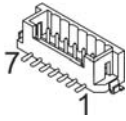


Figure 3-12 Analog I/Os Socket J6

J6 & Head A Pin	Prefab Cable Color	Head B Pin	Signal	Description
1	white		AnIN1+	Analog input 1, positive signal
2	brown		AnIN1-	Analog input 1, negative signal
3	green		AnIN2+	Analog input 2, positive signal
4	yellow		AnIN2-	Analog input 2, negative signal
5	grey		AnOUT1	Analog output 1
6	pink		AnOUT2	Analog output 2
7	blue		GND	Signal ground

Table 3-15 Analog I/Os Socket J6 – Pin Assignment & Cabling

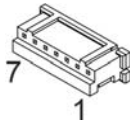
I/O Cable 7core (403964)		
<b>A</b>		<b>B</b>
Cable cross-section	7 x 0.14 mm <sup>2</sup>	
Length	1.5 m	
Head A	Suitable plugs Suitable contacts	Hirose DF3-7S-2C Hirose DF3-2428SC...
Head B	Cable end sleeves 0.14 mm <sup>2</sup>	

Table 3-16 I/O Cable 7core

3.4.4.1 Analog Inputs 1 and 2

Input voltage	-10...+10 VDC (differential)
Max. input voltage	+24 VDC / -24 VDC
Common mode voltage	-5...+10 VDC (referenced to GND)
Input resistance	100 kΩ (differential) 50 kΩ (referenced to GND)
A/D converter	12-bit
Resolution	5.07 mV
Bandwidth	10 kHz

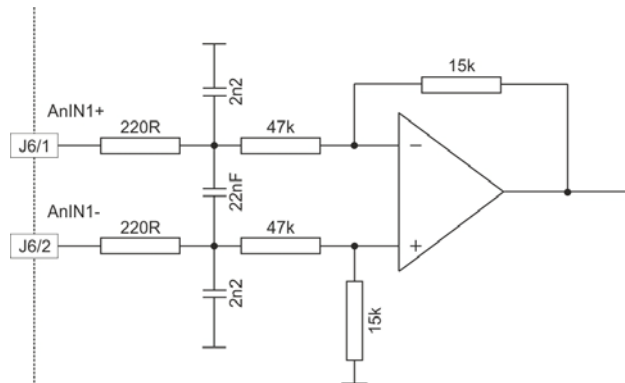


Figure 3-13 AnIN1 Circuit (analogously valid also for AnIN2)

3.4.4.2 Analog Outputs 1 and 2

Output voltage	-4...+4 VDC
D/A converter	12-bit
Resolution	2.30 mV
Refresh rate	AnOUT1: 26.8 kHz AnOUT2: 5.4 kHz
Analog bandwidth of output amplifier	20 kHz
Max. capacitive load	10 nF
Max. output current	1 mA

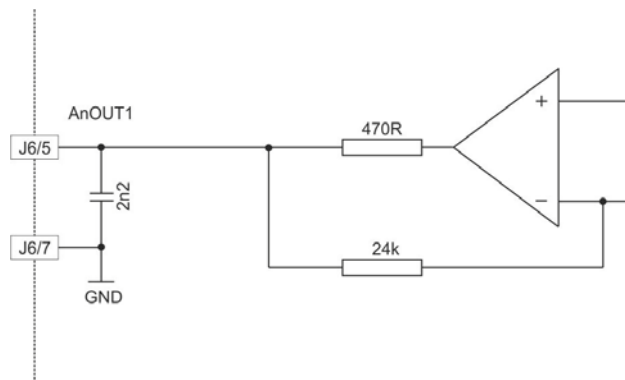


Figure 3-14 AnOUT1 Circuit (analogously valid also for AnOUT2)

### 3.4.5 USB (J7)

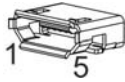


Figure 3-15 USB Socket J7



**Note**

Column “Head B” (→Table 3-17) refers to USB terminals of your PC.

J7 & Head A Pin	Prefab Cable Color	Head B Pin	Signal	Description
1		1	V <sub>BUS</sub>	USB BUS supply voltage input +5 VDC
2		2	D-	USB Data- (twisted pair with Data+)
3		3	D+	USB Data+ (twisted pair with Data-)
4		–	ID	not connected
5		4	GND	USB ground

Table 3-17 USB Socket J7 – Pin Assignment & Cabling

USB Type A - micro B Cable (403968)	
<b>A</b>	<b>B</b>
Cable cross-section	According to USB 2.0 specification
Length	1.5 m
Head A	USB Type “micro B”, male
Head B	USB Type “A”, male

Table 3-18 USB Type A - micro B Cable

USB Standard	2.0 (Full Speed)
Max. bit rate	12 Mbit/s
Max. bus supply voltage	+5.25 VDC
Typical input current	60 mA
Max. DC data input voltage	–0.5...+3.8 VDC



### 3.4.6 Adapters for maxon EC motors with Flexprint Cable (FPC)

Use the ready-made adapters for easy connection of maxon EC motors with built-in FPC (Flexprint cable). The adapters are color-coded and match the following motors:

Order number	Adapter			Suitable motors with Hall sensors (not concluding)	
	Designation	Color	Poles	Type	Rating [W]
418719	Adapter BLACK FPC11poles	black	11	EC 10 EC 13 EC 20 flat EC 32 flat EC 45 flat	8 6 / 12 3 / 5 6 / 15 12 / 30
418723	Adapter BLUE FPC8poles	blue	8	EC 6 EC 8 EC 9.2 flat	1.5 / 2 2 0.5
418721	Adapter GREEN FPC8poles	green	8	EC 6 EC 10 flat	1.2 0.2

Table 3-19 Adapters for Flexprint Cables

#### ADAPTER BLACK FPC11POLES

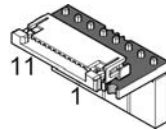


Figure 3-16 Adapter BLACK FPC11poles

Adapter BLACK Pin	Signal	Description
1	+5 VDC	Hall sensor supply voltage (+5 VDC; $I_L \leq 30$ mA)
2	Hall sensor 3	Hall sensor 3 input
3	Hall sensor 1	Hall sensor 1 input
4	Hall sensor 2	Hall sensor 2 input
5	GND	Ground
6	Motor winding 3	EC motor: Winding 3
7	Motor winding 3	EC motor: Winding 3
8	Motor winding 2	EC motor: Winding 2
9	Motor winding 2	EC motor: Winding 2
10	Motor winding 1	EC motor: Winding 1
11	Motor winding 1	EC motor: Winding 1

Table 3-20 Adapter BLACK FPC11poles – Pin Assignment

### ADAPTER BLUE FPC8POLES

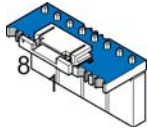


Figure 3-17 Adapter BLUE FPC8poles

Adapter BLUE Pin	Signal	Description
1	Motor winding 1	EC motor: Winding 1
2	Motor winding 2	EC motor: Winding 2
3	Motor winding 3	EC motor: Winding 3
4	+5 VDC	Hall sensor supply voltage (+5 VDC; $I_L \leq 30$ mA)
5	GND	Ground
6	Hall sensor 1	Hall sensor 1 input
7	Hall sensor 2	Hall sensor 2 input
8	Hall sensor 3	Hall sensor 3 input

Table 3-21 Adapter BLUE FPC8poles – Pin Assignment

### ADAPTER GREEN FPC8POLES

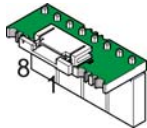


Figure 3-18 Adapter GREEN FPC8poles

Adapter GREEN Pin	Signal	Description
1	Motor winding 3	EC motor: Winding 3
2	Motor winding 2	EC motor: Winding 2
3	Hall sensor 3	Hall sensor 3 input
4	+5 VDC	Hall sensor supply voltage (+5 VDC; $I_L \leq 30$ mA)
5	GND	Ground
6	Hall sensor 1	Hall sensor 1 input
7	Hall sensor 2	Hall sensor 2 input
8	Motor winding 1	EC motor: Winding 1

Table 3-22 Adapter GREEN FPC8poles – Pin Assignment

### 3.4.7 ESCON 36/3 EC Connector Set

If you decide not to employ maxon motor's prefab cable assemblies, you might wish to use the prepackaged kit that contains all connectors required to make up your own cabling.

«ESCON 36/3 EC Connector Set» (425255)		
For Socket	Specification	Quantity
J1	Hirose crimping socket, 2 poles (DF3-2S-2C)	1
J1	Hirose crimping contact for socket (DF3-22SC...)	3
J5	Hirose crimping socket, 6 poles (DF3-6S-2C)	1
J5, J6	Hirose crimping contact for socket (DF3-2428SC...)	14
J6	Hirose crimping socket, 7 poles (DF3-7S-2C)	1

Table 3-23 ESCON 36/3 EC Connector Set – Content



**Best Practice**

*If you should decide not to use the ready-made cable assemblies, we strongly suggest that you use the following hand tools:*

- Hirose hand crimper (DF3-TA22HC) for crimping contacts DF3-22SC...
- Hirose hand crimper (DF3-TA2428HC) for crimping contacts DF3-2428SC...
- Lumberg hand crimper (CZ31) for crimping contacts 3111 03

## 3.5 Potentiometers

**POTENTIOMETER P1**

Adjustment angle	210°
Type	Linear

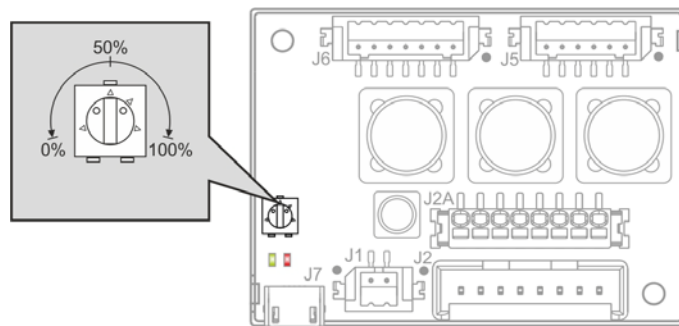


Figure 3-19 Potentiometer P1 – Location & Adjustment Range

## 3.6 Status Indicators

Light-emitting diodes (LEDs) indicate the actual operating status (green) and possible errors (red).

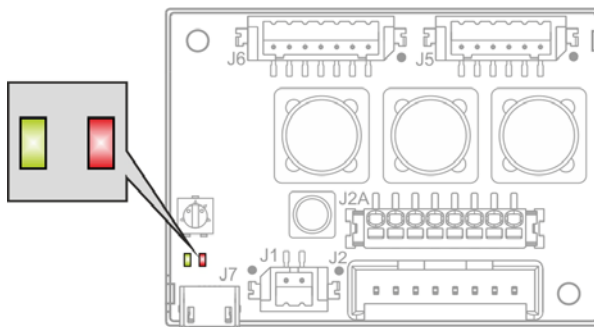


Figure 3-20 LEDs – Location

LED		Status / Error	
Green	Red		
off	off	INIT	
slow	off	DISABLE	
on	off	ENABLE	
2x	off	STOPPING; STOP STANDSTILL	
off	1x	ERROR	<ul style="list-style-type: none"> <li>• +Vcc Overvoltage Error</li> <li>• +Vcc Undervoltage Error</li> <li>• +5 VDC Undervoltage Error</li> </ul>
off	2x	ERROR	<ul style="list-style-type: none"> <li>• Thermal Overload Error</li> <li>• Overcurrent Error</li> <li>• Power Stage Protection Error</li> </ul>
off	4x	ERROR	<ul style="list-style-type: none"> <li>• PWM Set Value Input out of Range Error</li> </ul>
off	5x	ERROR	<ul style="list-style-type: none"> <li>• Hall Sensor Pattern Error</li> <li>• Hall Sensor Sequence Error</li> <li>• Hall Sensor Frequency too high Error</li> </ul>
off	on	ERROR	<ul style="list-style-type: none"> <li>• Auto Tuning Identification Error</li> <li>• Internal Software Error</li> </ul>

Table 3-24 LEDs – Interpretation of Condition

## 4 Wiring

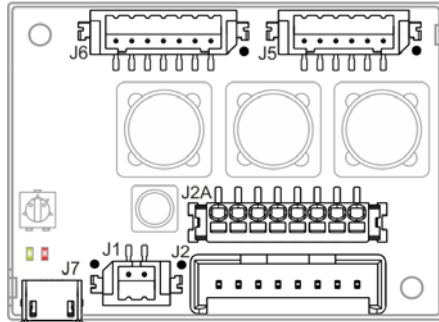




Figure 4-21 Interfaces – Designations and Location



### Remark

The subsequent diagrams feature these signs:

-  PCB mounting hole
-  Ground safety earth connection (optional)

## 4.1 maxon EC motor with Hall Sensors

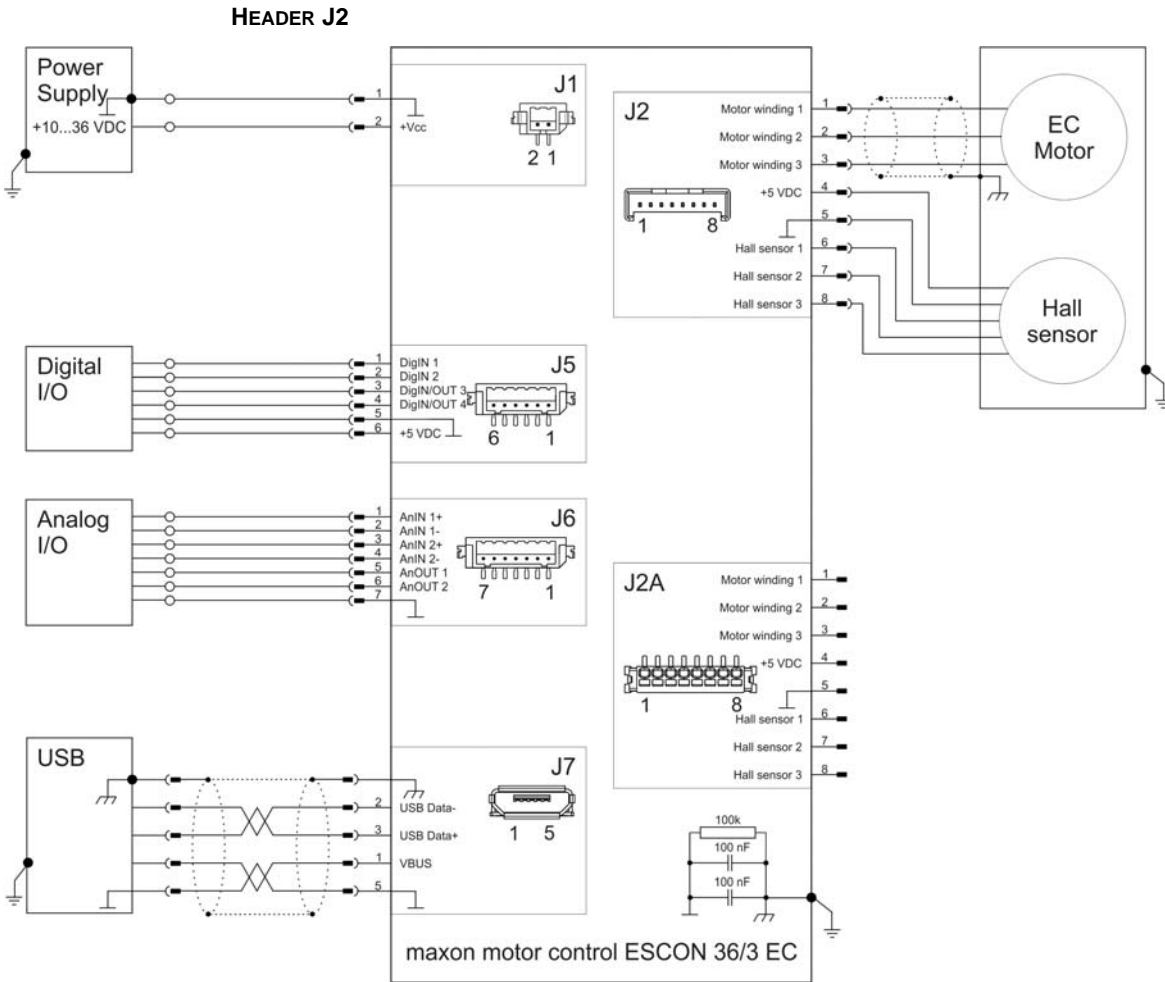


Figure 4-22 maxon EC motor with Hall Sensors (J2)

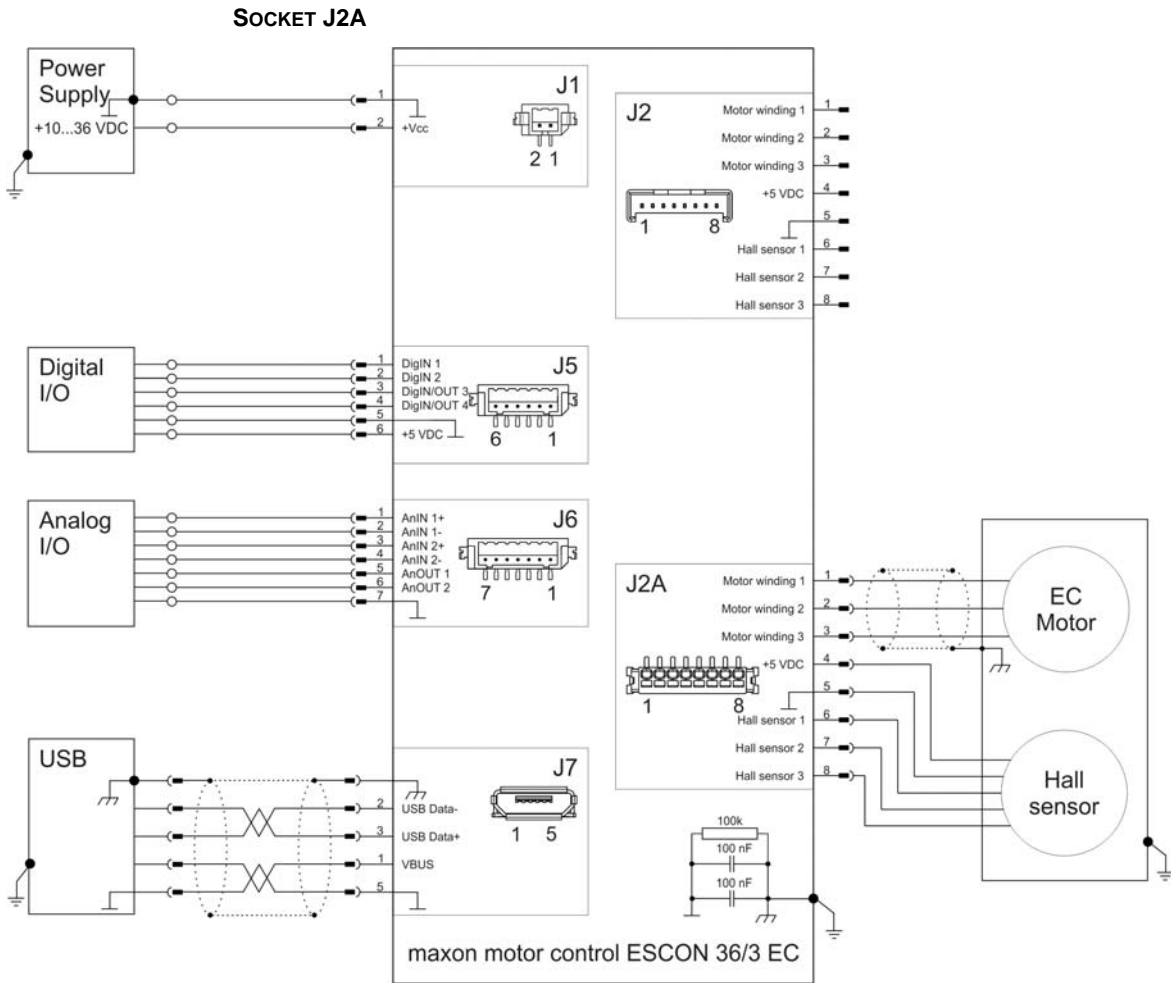


Figure 4-23 maxon EC motor with Hall Sensors (J2A)

## 4.2 maxon EC motor with Hall Sensors and Flexprint Cable (FPC)

### HEADER J2 / ADAPTER BLACK (J2 TO FPC 11 POLE)

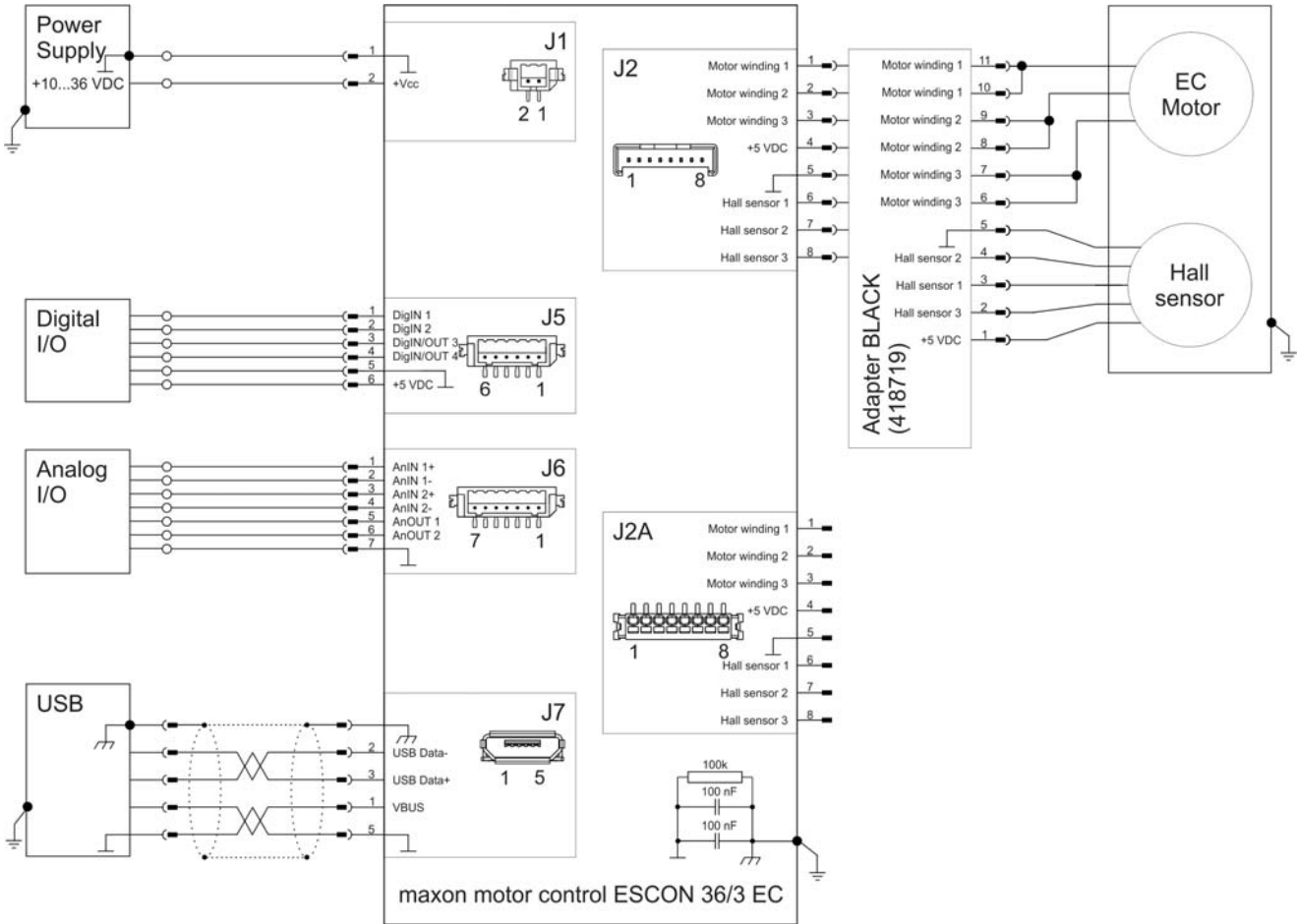


Figure 4-24 maxon EC motor with Hall Sensors (J2 and Adapter BLACK)



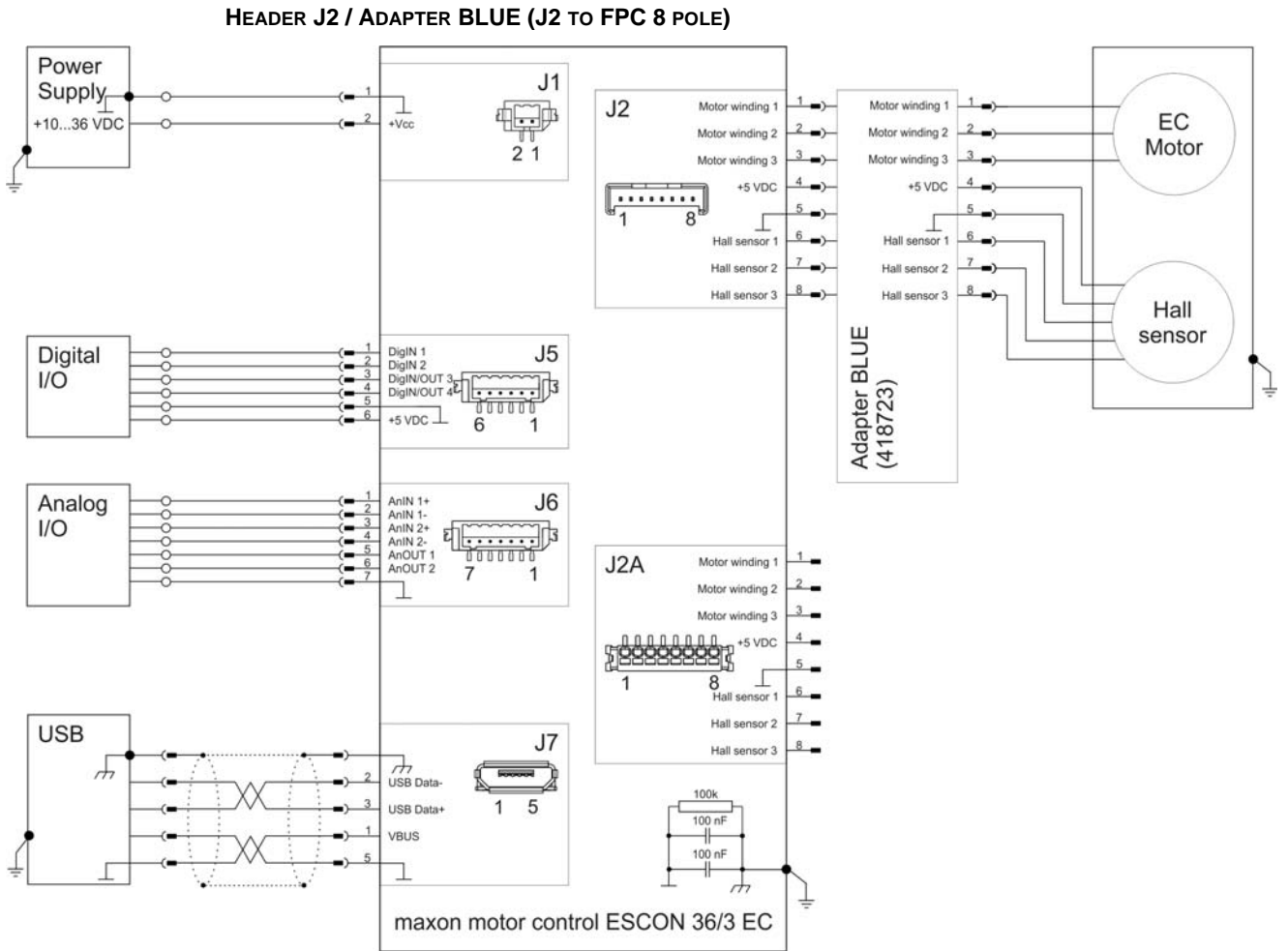


Figure 4-25 maxon EC motor with Hall Sensors (J2 and Adapter BLUE)

## HEADER J2 / ADAPTER GREEN (J2 TO FPC 8 POLE)

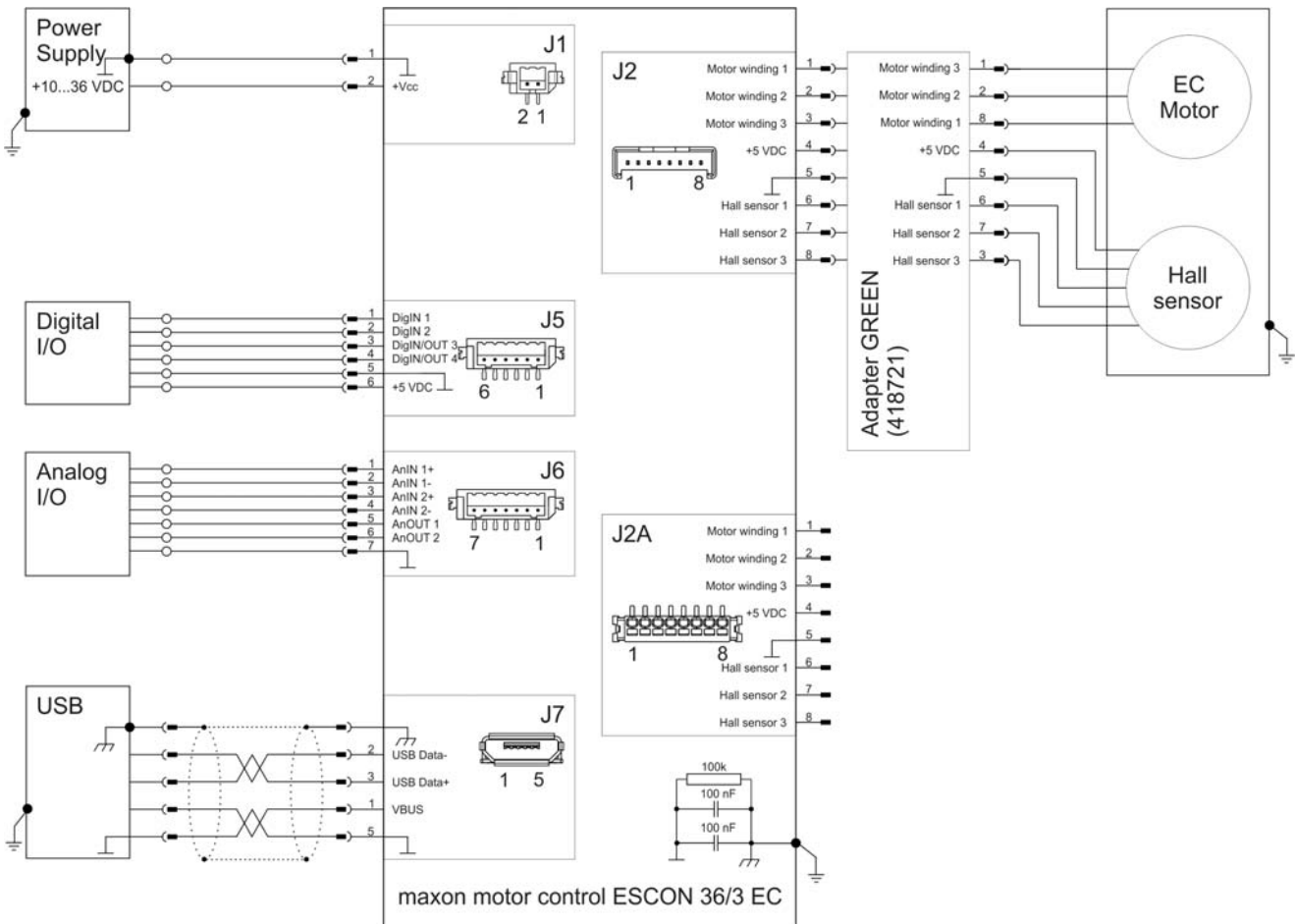


Figure 4-26 maxon EC motor with Hall Sensors (J2 and Adapter GREEN)

LIST OF FIGURES

Figure 2-1 Dimensional Drawing [mm]. . . . .8

Figure 3-2 Power Socket J1. . . . .14

Figure 3-3 Motor / Hall Sensor Header J2. . . . .15

Figure 3-4 Motor / Hall Sensor Socket J2A. . . . .16

Figure 3-5 Hall Sensor Input Circuit (analogously valid also for Hall Sensors 2 & 3) . . . . .17

Figure 3-6 Digital I/Os Socket J5. . . . .18

Figure 3-7 DigIN1 Circuit . . . . .19

Figure 3-8 DigIN2 Circuit . . . . .19

Figure 3-9 DigIN3 Circuit (analogously valid also for DigIN4) . . . . .20

Figure 3-10 DigOUT3 Circuit (analogously valid also for DigOUT4) . . . . .20

Figure 3-11 DigOUT3 Wiring Examples (analogously valid also for DigOUT4). . . . .21

Figure 3-12 Analog I/Os Socket J6 . . . . .22

Figure 3-13 AnIN1 Circuit (analogously valid also for AnIN2) . . . . .23

Figure 3-14 AnOUT1 Circuit (analogously valid also for AnOUT2) . . . . .23

Figure 3-15 USB Socket J7 . . . . .24

Figure 3-16 Adapter BLACK FPC11poles . . . . .25

Figure 3-17 Adapter BLUE FPC8poles . . . . .26

Figure 3-18 Adapter GREEN FPC8poles . . . . .26

Figure 3-19 Potentiometer P1 – Location & Adjustment Range . . . . .27

Figure 3-20 LEDs – Location . . . . .28

Figure 4-21 Interfaces – Designations and Location . . . . .29

Figure 4-22 maxon EC motor with Hall Sensors (J2). . . . .30

Figure 4-23 maxon EC motor with Hall Sensors (J2A) . . . . .31

Figure 4-24 maxon EC motor with Hall Sensors (J2 and Adapter BLACK) . . . . .32

Figure 4-25 maxon EC motor with Hall Sensors (J2 and Adapter BLUE) . . . . .33

Figure 4-26 maxon EC motor with Hall Sensors (J2 and Adapter GREEN) . . . . .34

LIST OF TABLES

Table 1-1 Notation used . . . . . 3  
Table 1-2 Symbols & Signs . . . . . 4  
Table 1-3 Brand Names and Trademark Owners. . . . . 4  
Table 2-4 Technical Data . . . . . 8  
Table 2-5 Standards. . . . . 9  
Table 3-6 Cable Selector . . . . . 13  
Table 3-7 Power Socket J1 – Pin Assignment & Cabling. . . . . 14  
Table 3-8 Power Cable. . . . . 14  
Table 3-9 Motor / Hall Sensor Header J2 – Pin Assignment & Cabling . . . . . 15  
Table 3-10 Motor / Hall Sensor Header J2 – Specification & Accessories. . . . . 15  
Table 3-11 Motor / Hall Sensor Socket J2A – Pin Assignment & Cabling . . . . . 16  
Table 3-12 Motor / Hall Sensor Socket J2A – Specification & Accessories . . . . . 16  
Table 3-13 Digital I/Os Socket J5 – Pin Assignment & Cabling . . . . . 18  
Table 3-14 I/O Cable 8core . . . . . 18  
Table 3-15 Analog I/Os Socket J6 – Pin Assignment & Cabling . . . . . 22  
Table 3-16 I/O Cable 7core . . . . . 22  
Table 3-17 USB Socket J7 – Pin Assignment & Cabling . . . . . 24  
Table 3-18 USB Type A - micro B Cable . . . . . 24  
Table 3-19 Adapters for Flexprint Cables. . . . . 25  
Table 3-20 Adapter BLACK FPC11poles – Pin Assignment . . . . . 25  
Table 3-21 Adapter BLUE FPC8poles – Pin Assignment. . . . . 26  
Table 3-22 Adapter GREEN FPC8poles – Pin Assignment . . . . . 26  
Table 3-23 ESCON 36/3 EC Connector Set – Content . . . . . 27  
Table 3-24 LEDs – Interpretation of Condition . . . . . 28

**INDEX****A**

adapters for J2 **25**  
additionally applicable regulations **5**  
alerts **3**  
analog inputs **23**  
applicable EU directive **11**

**C**

cables (prefab)  
  I/O Cable 7core **22**  
  I/O Cable 8core **18**  
  Power Cable **14**  
  USB Type A - micro B Cable **24**  
country-specific regulations **5**

**D**

digital inputs **19, 20**

**E**

error display **28**  
ESD **5**  
EU directive, applicable **11**

**F**

flexprint cable, adapter for **25**  
FPC (flexprint cable) **25**

**H**

how to  
  calculate required supply voltage **12**  
  choose adapter for flexprint cable **25**  
  find information on wiring **13**  
  interpret icons (and signs) used in the document **3**

**I**

incorporation into surrounding system **11**  
informatory signs **4**  
intended purpose of the device **4**  
interfaces, location and designation **29**

**L**

LEDs **28**

**M**

mandatory action signs **3**

**N**

notations used **3**

**O**

operating license **11**  
operating status, display **28**  
order numbers  
  403112 **7**  
  403957 **14**  
  403964 **22**  
  403965 **18**  
  403968 **24**  
  418719 **25**  
  418721 **25**  
  418723 **25**  
  425255 **27**

**P**

performance data **7**  
potentiometer P1 **27**  
precautions **5**  
prerequisites prior installation **11**  
prohibitive signs **3**  
purpose  
  of the device **4**  
  of this document **3**

**R**

regulations, additionally applicable **5**

**S**

safety alerts **3**  
safety first! **5**  
signs used **3**  
sockets  
  J1 **14**  
  J2 **15**  
  J2A **16**  
  J5 **18**  
  J6 **22**  
  J7 **24**  
standards, fulfilled **9**  
status display **28**  
status LEDs **28**  
supply voltage, required **12**  
symbols used **3**

**T**

technical data **7**  
tools, recommended **27**

**U**

USB interface **24**

© 2014 maxon motor. All rights reserved.

The present document – including all parts thereof – is protected by copyright. Any use (including reproduction, translation, microfilming, and other means of electronic data processing) beyond the narrow restrictions of the copyright law without the prior approval of maxon motor ag, is not permitted and subject to prosecution under the applicable law.

**maxon motor ag**

Brünigstrasse 220  
P.O.Box 263  
CH-6072 Sachseln  
Switzerland

Phone +41 41 666 15 00

Fax +41 41 666 16 50

[www.maxonmotor.com](http://www.maxonmotor.com)